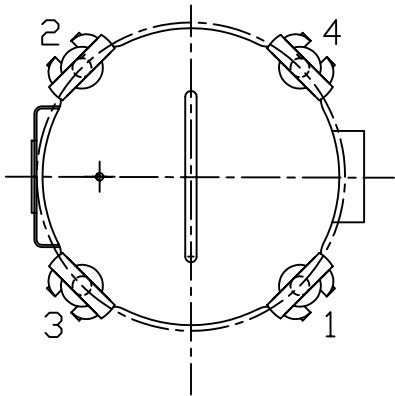


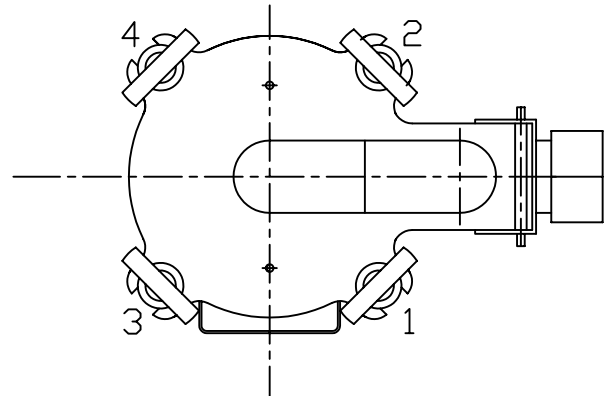
MAXIMUM RECOMMENDED ASSEMBLY TORQUE FOR BOLTS

SIZE	DRY ASSEMBLY (FT. LBS)	LUBRICATED ASSEMBLY (FT. LBS)
M 12	45	30
M 16	80	60
1/2" - 13UNC	50	35
5/8" - 11UNC	90	70
3/4" - 10UNC	160	120
7/8" - 9UNC	200	140
1" - 8UNC	220	160
1 1/4" - 7UNC	450	320
1 3/8" - 6UNC	560	420
1 1/2" - 6UNC	740	560

BOLT TIGHTENING SEQUENCE



CF-25/50/100/200 SE  
BAG FILTER



CF-25/50/100/200  
BAG FILTER